

## 5. Instances and Parametrized Shapes

A direct way of defining a new shape is a simple linear transformation of an existing one. Consider a unit cube.

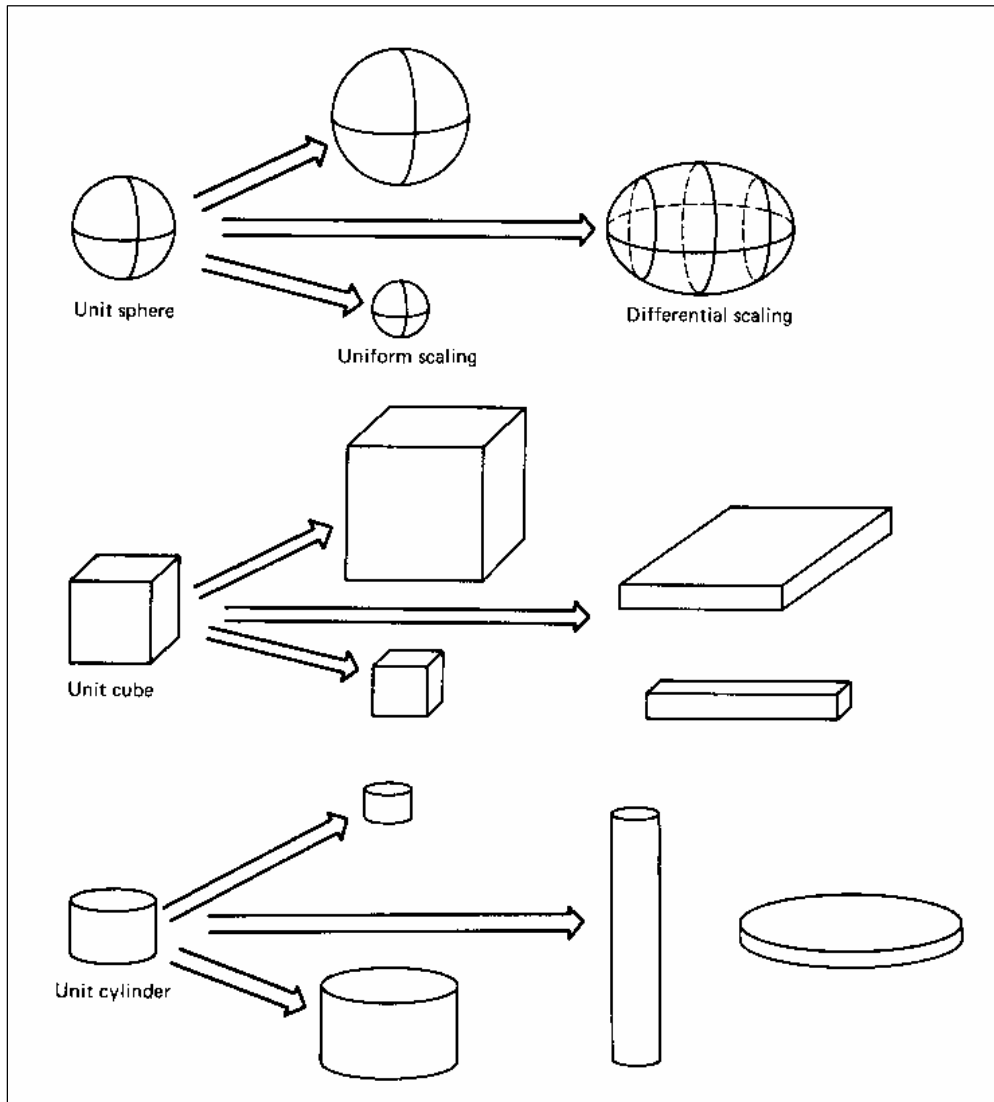


Figure 1. Instances

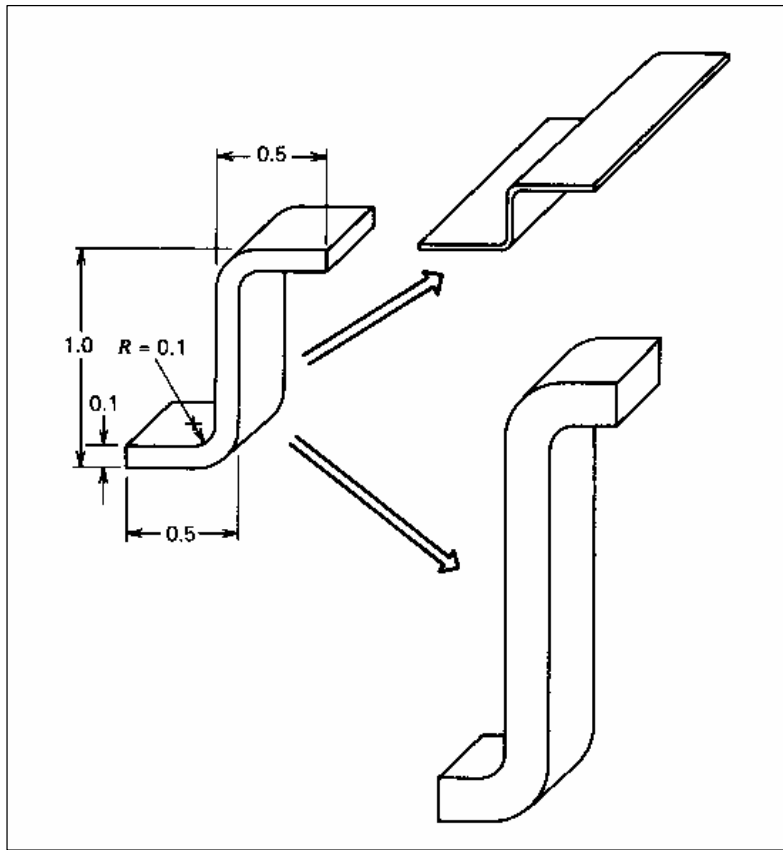


Figure 2. Instances of a „Z“ section

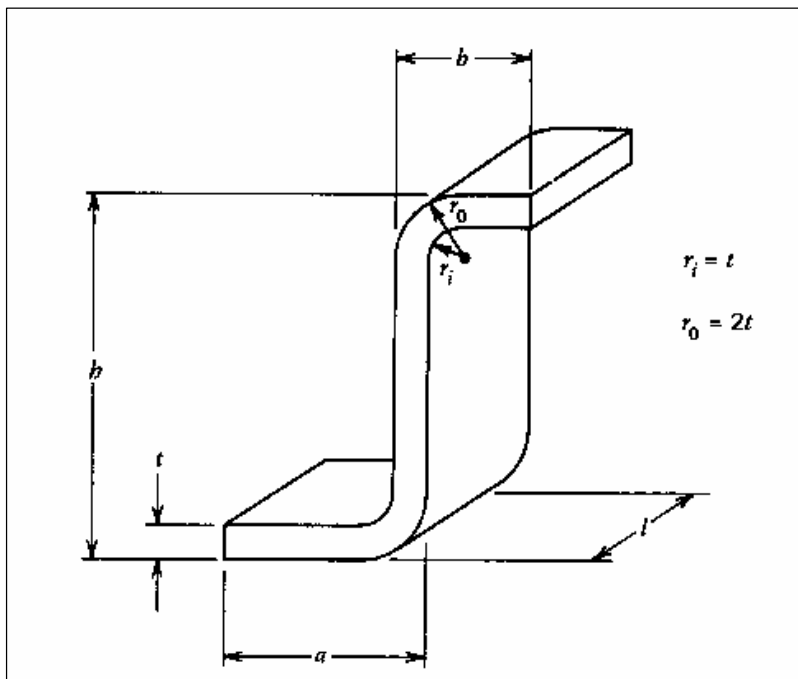


Figure 3. Parametrized shape